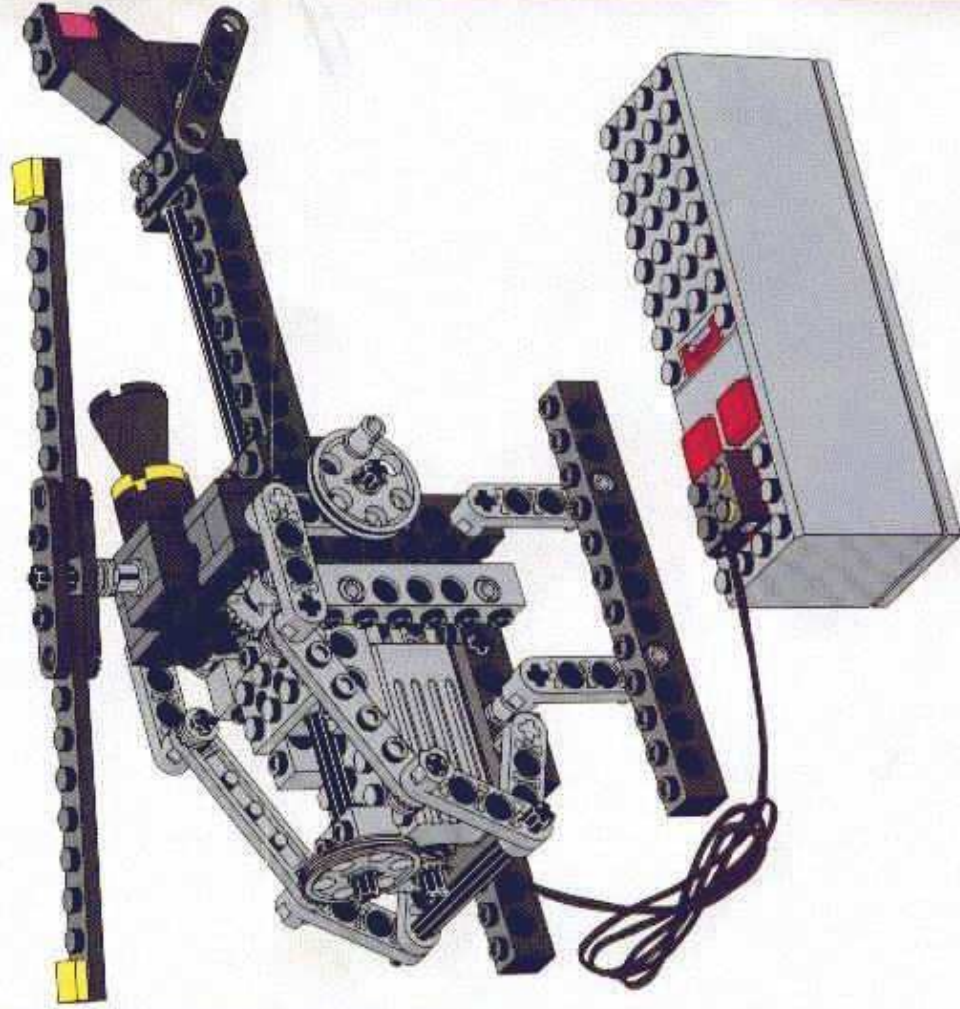
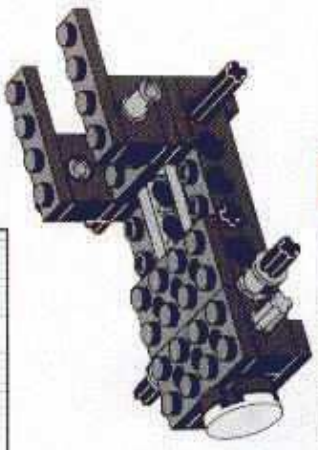




4



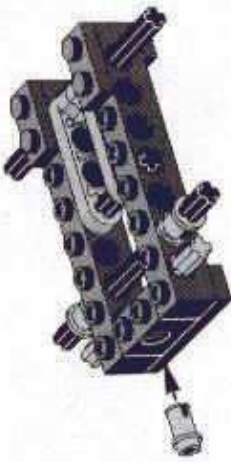
6



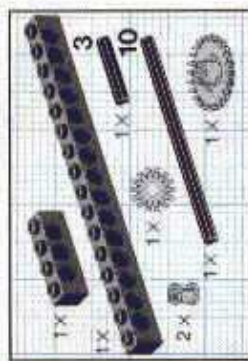
7



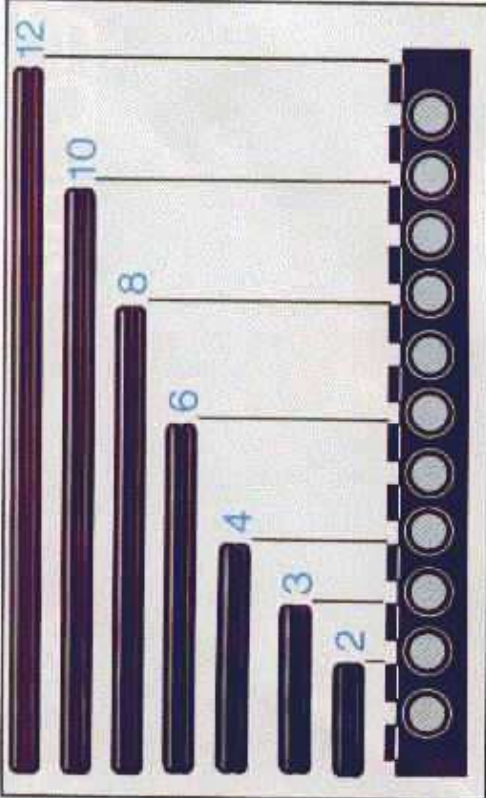
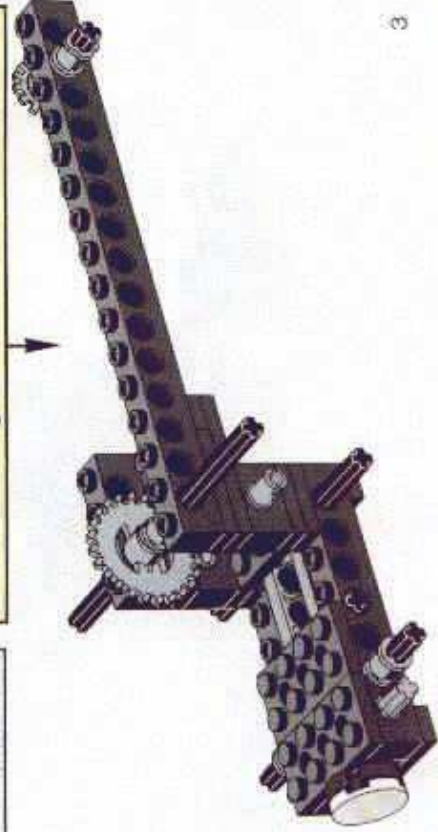
4



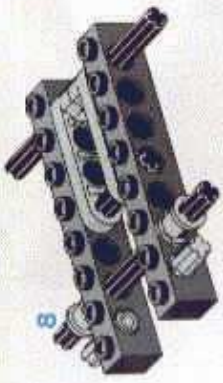
5



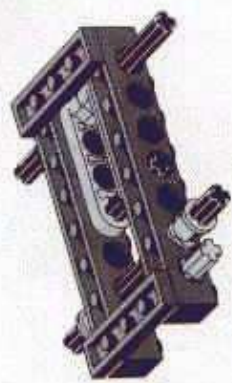
8



2



3

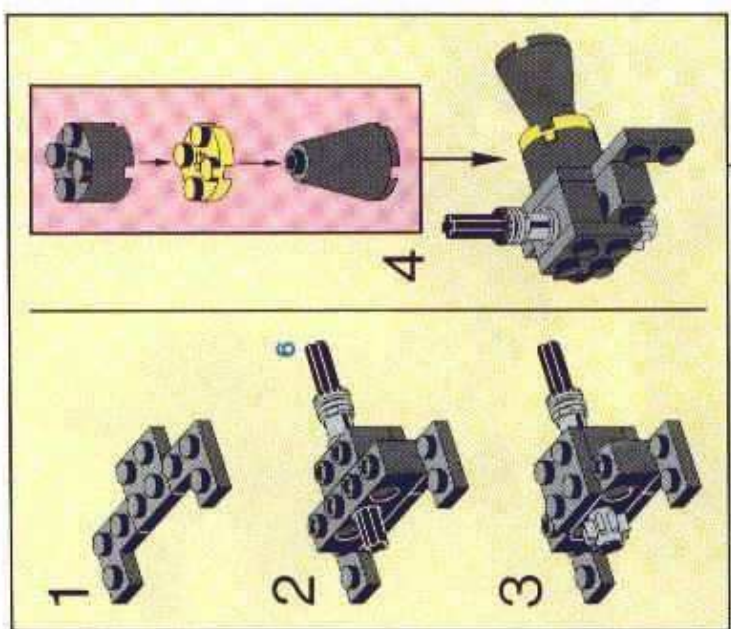
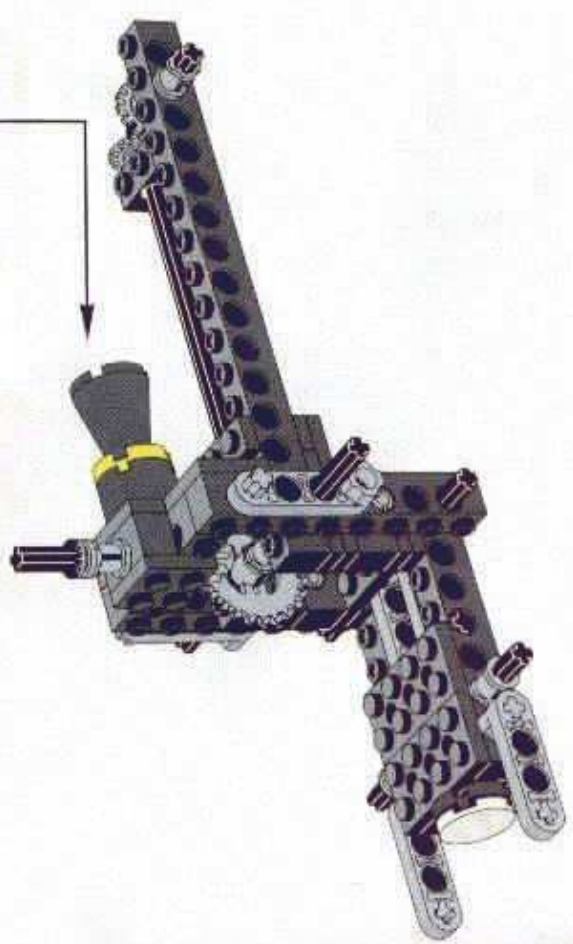


1

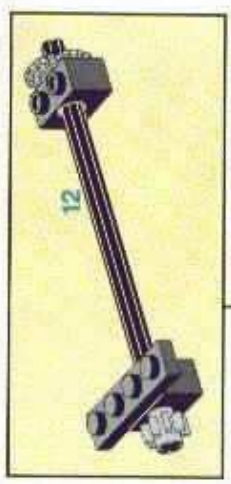
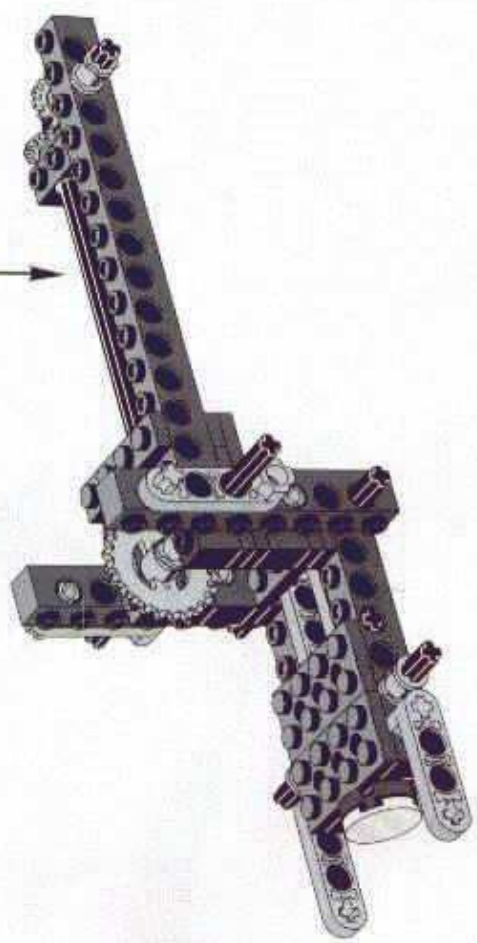


8

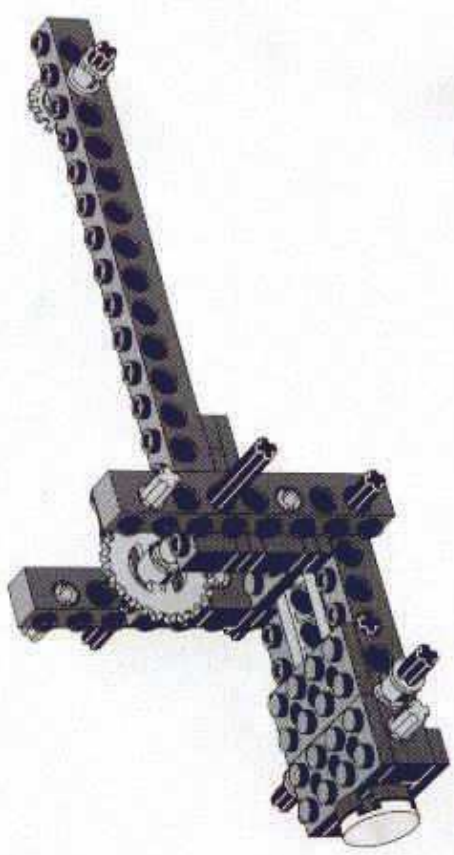




11



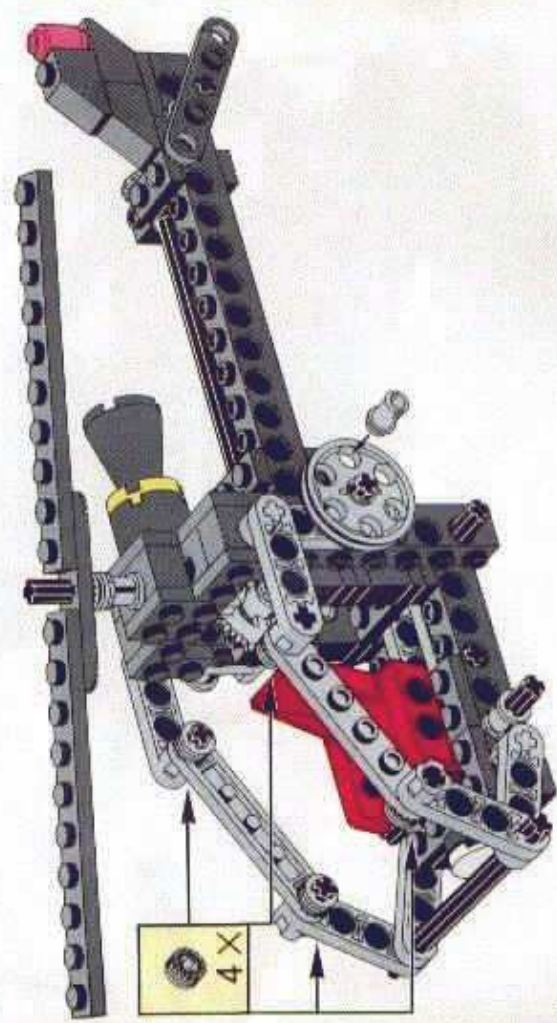
10



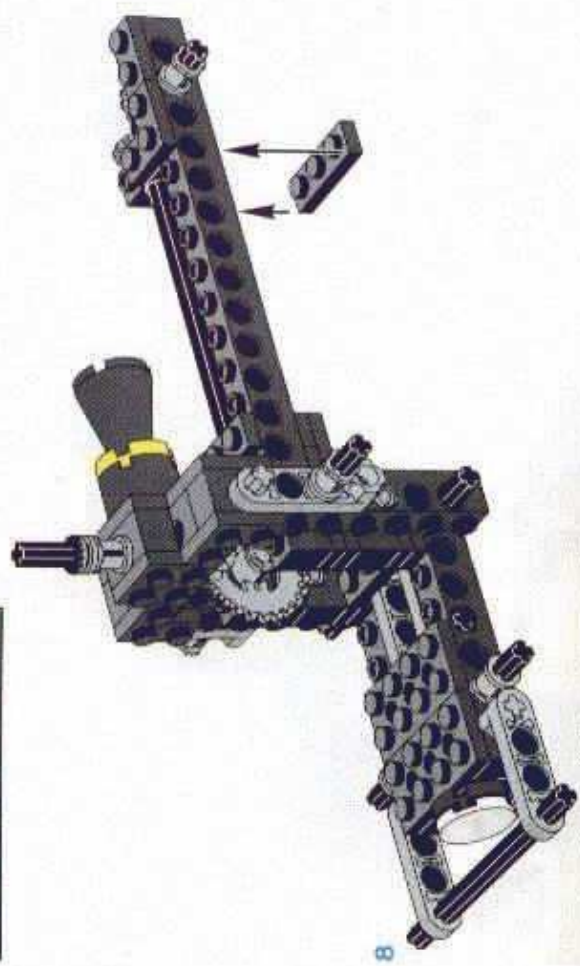
9



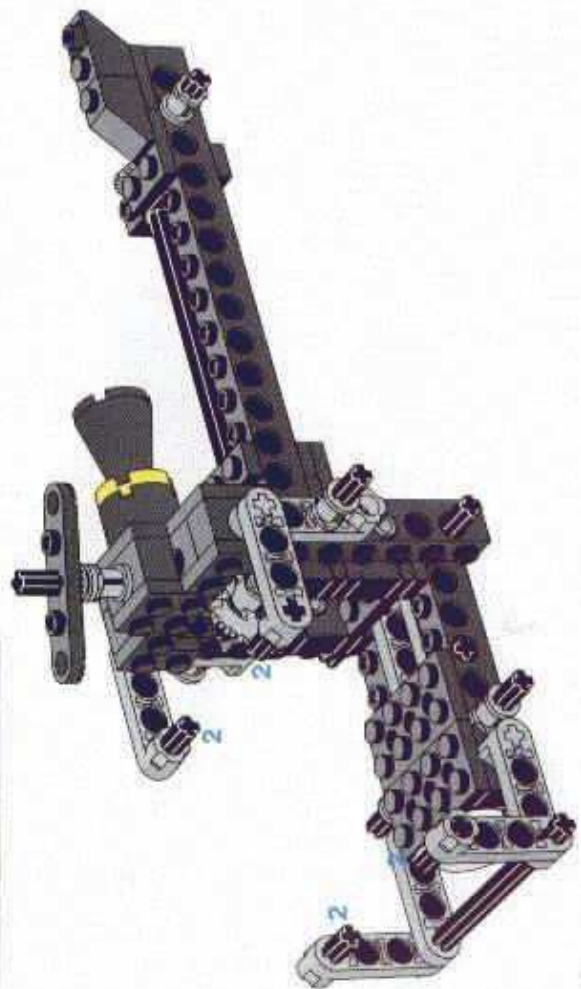
14

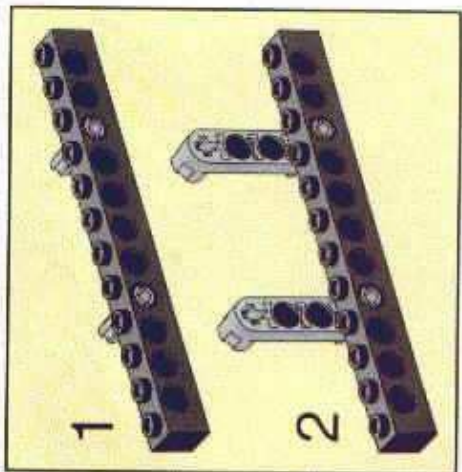
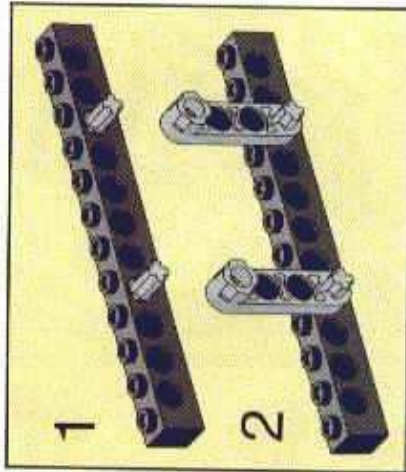
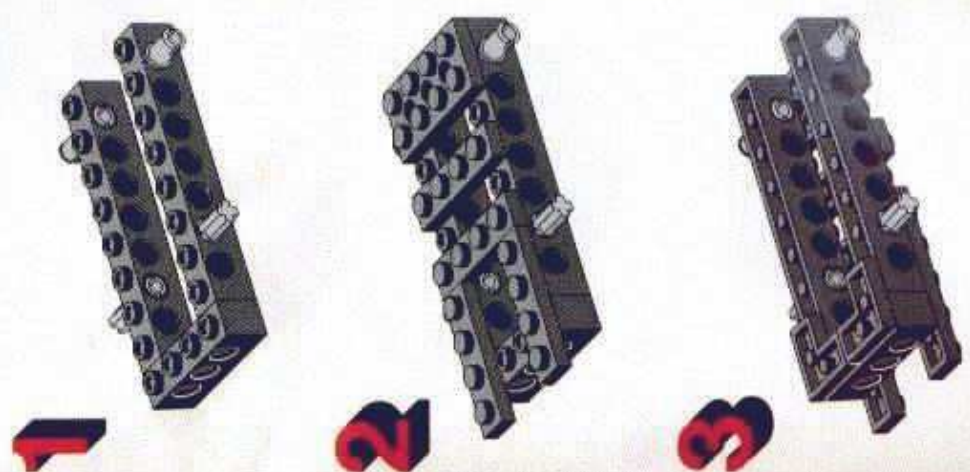
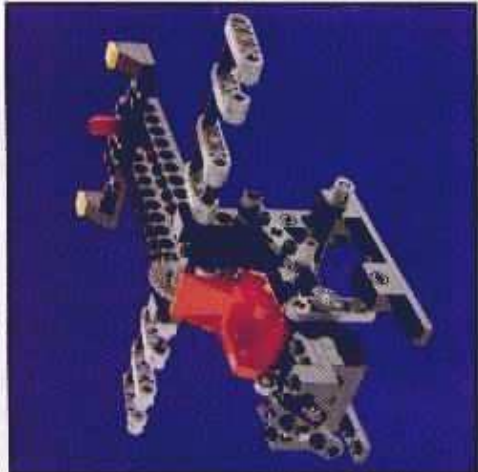
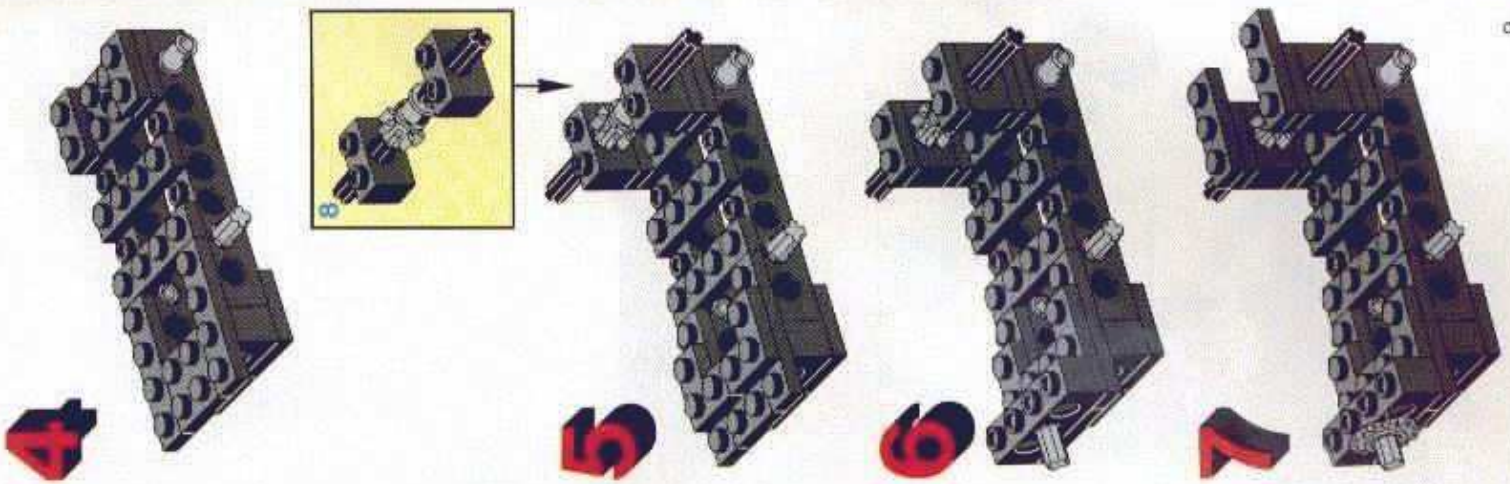


12



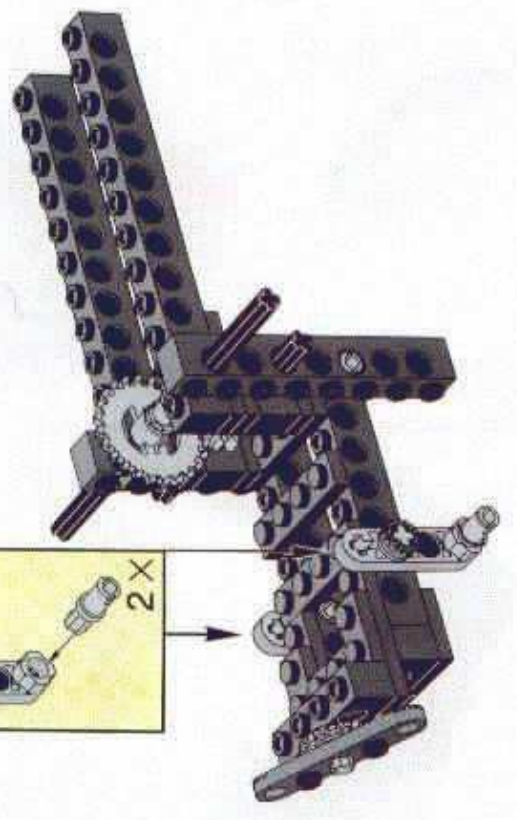
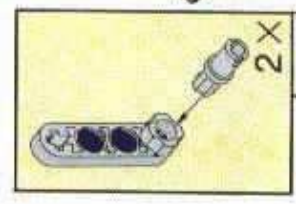
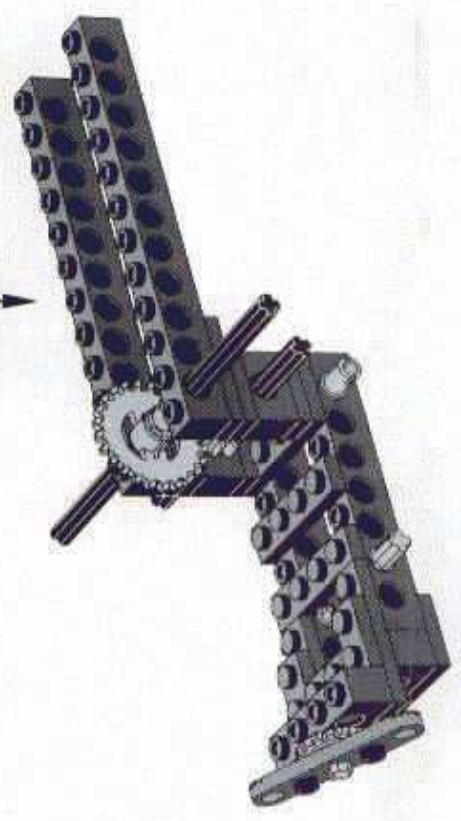
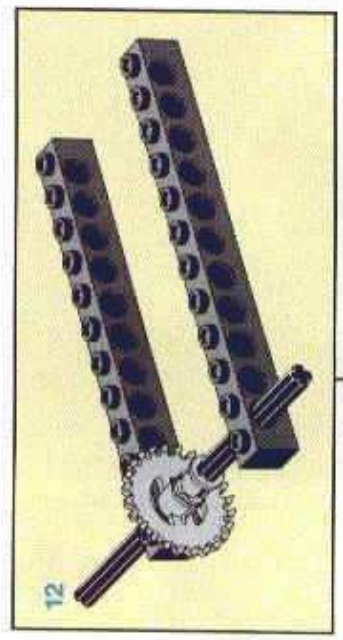
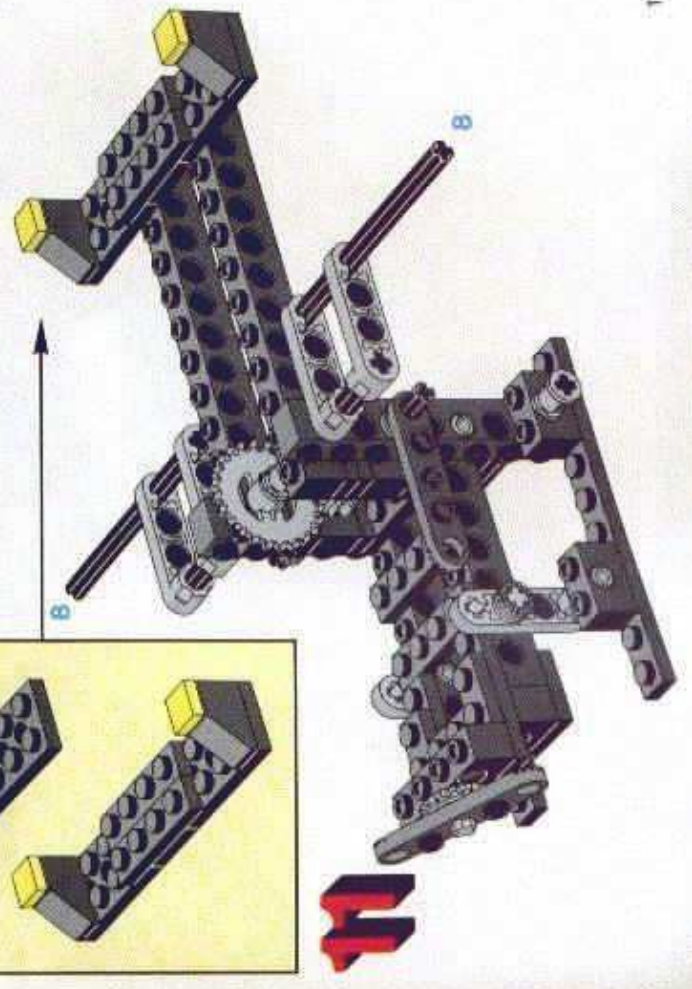
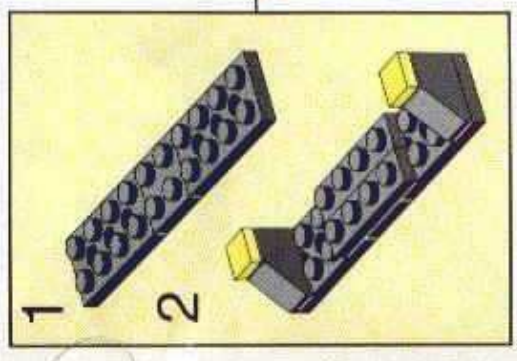
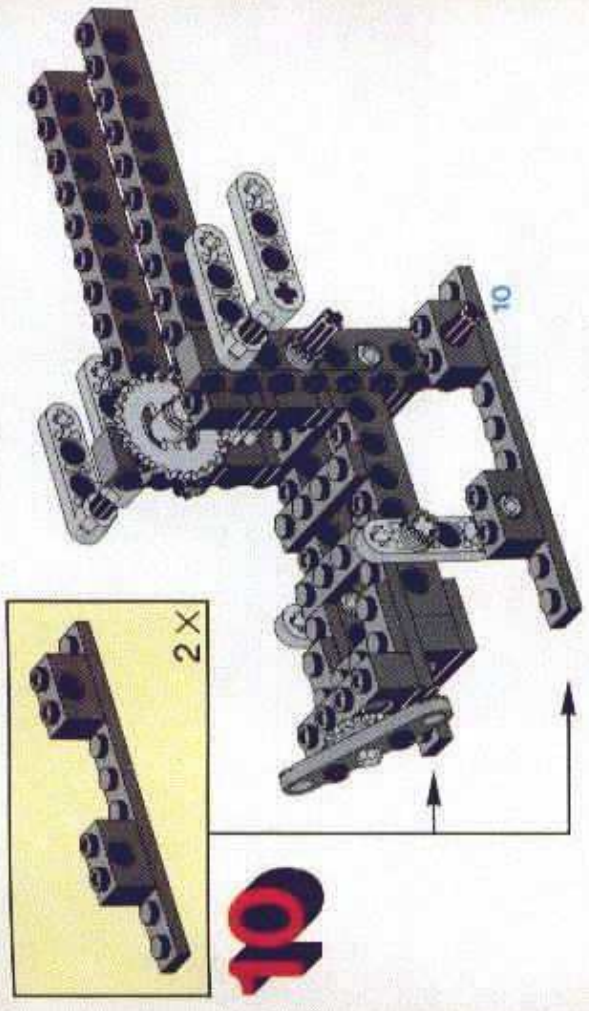
13





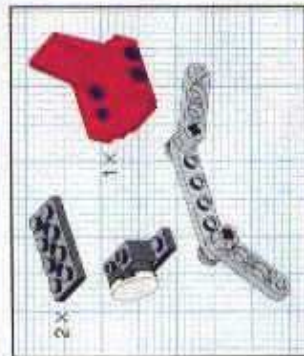
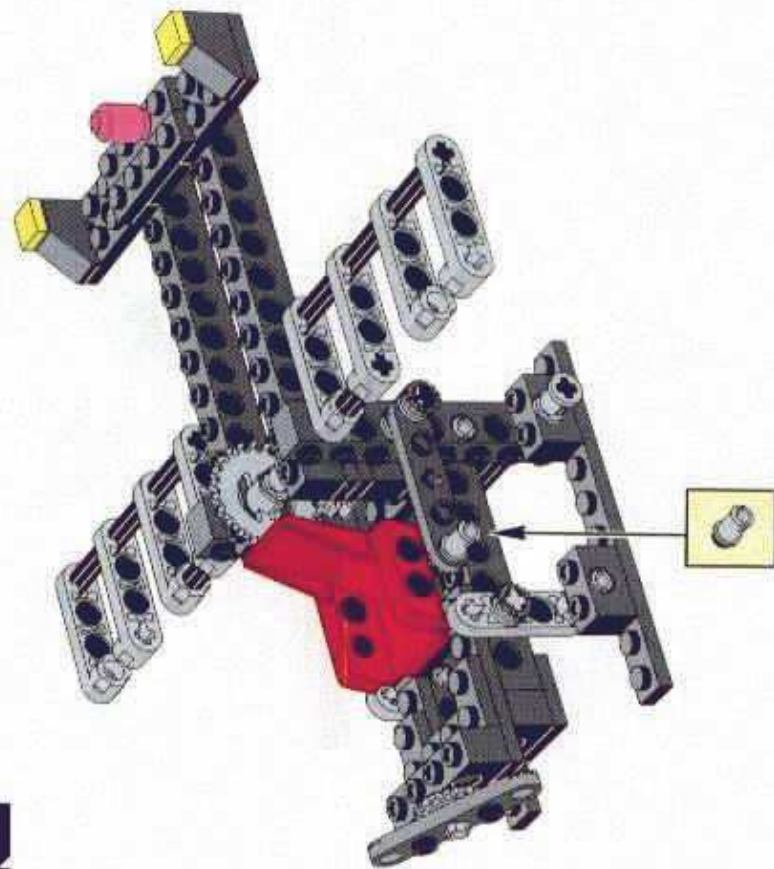
15

- 2 x
- 1 x
- 1 x
- 2 x
- 4 x
- 4 x

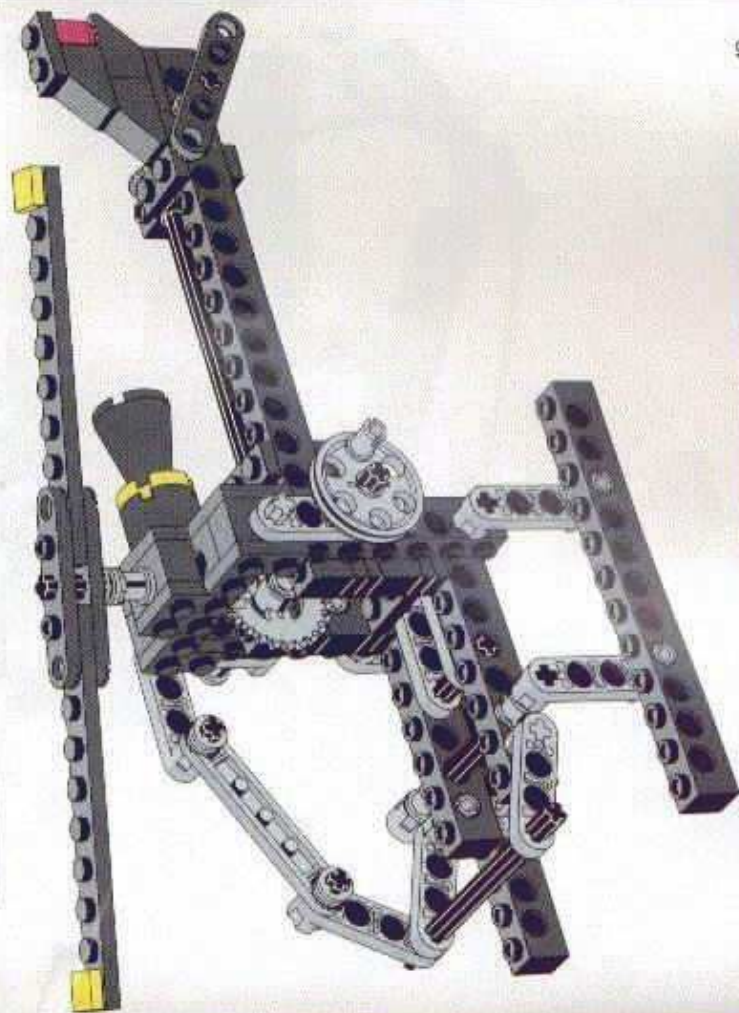


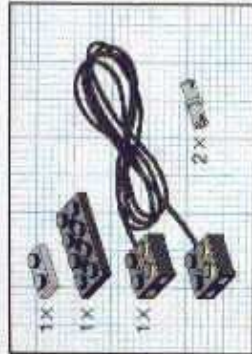


12

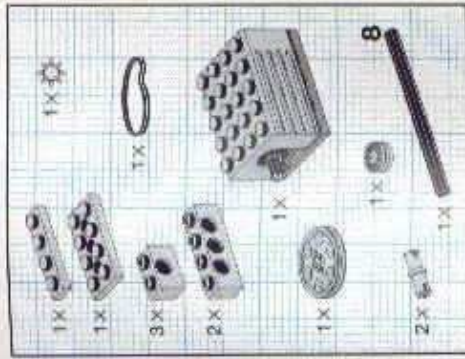
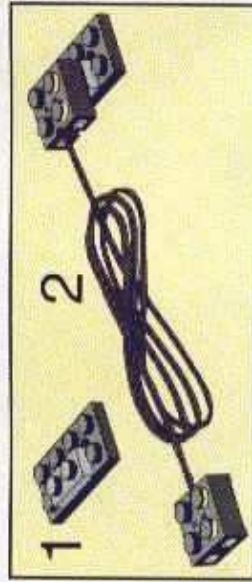


1





2



3

